

PQ PROTECTION SURGE PROTECTION DEVICES PQS300 SERIES - MODULAR



PQS300 series are high-performance, robust, surge protective devices (SPDs) with advanced features, protecting your facilities' electrical equipment from damaging electrical power surges due to lightning, utility power generation/distribution systems, and inductive load switching equipment within your facility. Intended for service entrances, distribution panels, MCCs, branch panels, lighting panels, and large equipment applications (e.g., HVAC).

The PQS300 is automatic in operation, resetting after activation to provide continuous protection of electrical equipment.

The PQS300 series is UL Type 1 listed (automatically suitable for UL Type 2) and can be installed before or after the service equipment overcurrent device, with or without a dedicated circuit breaker for the SPD.

Ultra2X – Temporary Overvoltage protection – increases durability & service life.

Surge counter is standard.

Replaceable modules and cartridge fuses.

Optional Advanced Monitoring Contacts (AMC) – pre-wired Form C monitoring contacts.

Optional side & top (of electrical panel) mounting kits.

ISO 9001:2014 Quality Management System, **ISO 17025:2007** Laboratory Certification (**UL® DAP**), and 100% Quality Tested prior to shipping.



PRODUCT SPECIFICATIONS	
Status Indication	Individual LED per Phase / Line / Protection Mode Alarm LED Audible Alarm Surge Counter
Certifications	UL® 1449 Edition 5 Type 1 / Type 2
Complies With	NEC® Article 242 (Article 285 - prior to 2020) UL® 96A Edition 14 Installation Requirements for Lightning Protection Systems ANSI®/IEEE® C62.41.1-2002 Category A, B, and C; C62.41.2-2002 ; and C62.45-2002
Short Circuit Current Rating (SCCR)	200 kA
Maximum Discharge Current (I_{max})	300 kA per phase / 150 kA per mode - 8/20 μs
Nominal Discharge Current (I_n)	20 kA
Frequency	50 Hz, 60 Hz
Operating Temperature	32° to 104°F (0 to 40°C)
Mounting	Surface mount Optional Side Mount kit, Top Mount Kit
Enclosure Rating	NEMA® Type 4/12, suitable for indoor or outdoor installation
Enclosure Material	Metal (powder coated aluminum)
Dimensions	10.4 H x 10.32 W x 3.25 D in., 13 lb
Connection Method	Parallel, 10 AWG stranded, ~36" length, 3/4" conduit nipple
Recommended Circuit Breaker	30A (20A minimum), multi-pole as required
Remote Monitoring - Contacts	Form C, 0.3 A @ 125 Vac / 1.0A 30 Vdc, IoT, BMS, and SCADA compatible Optional AMC – pre-terminated leads
Warranty	Ten (10) Years

PQ PROTECTION SURGE PROTECTION DEVICES PQS300 SERIES - MODULAR



MODELS PQS300		MCOV	VPR			
Model Number	Configuration	(V)	L-G (V)	L-N (V)	N-G (V)	L-L (V)
PQS300 120/208V-3Y	120/208V, 3-phase Wye, 4W+G	170/280	800	800	700	1200
PQS300 277/480V-3Y	277/480V, 3-phase Wye, 4W+G	320/550	1200	1200	1000	1800
PQS300 120/240V-SP	120/240V, Split-phase, 3W+G	170/280	800	800	700	1200

SPARES	
Replacement Module	PQS300-MOD
Replacement Fuse	PQFUSE

Side Mount Kit PQSM

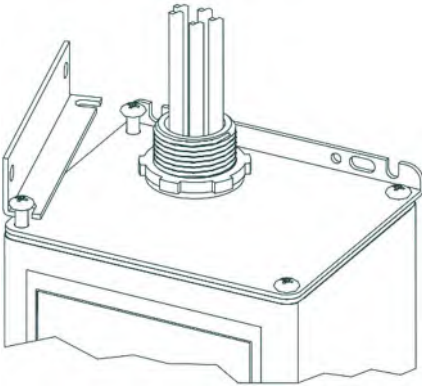


Figure 1 (PQM100 shown as example)

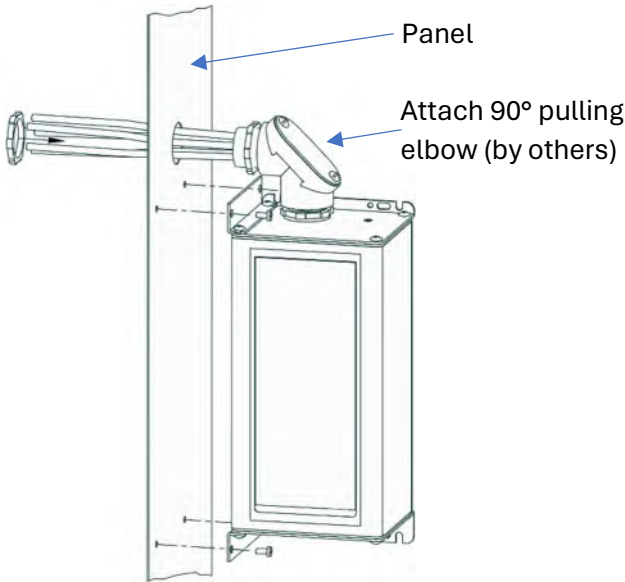
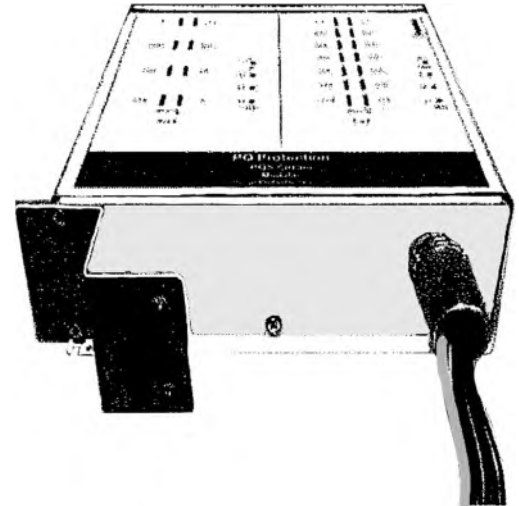


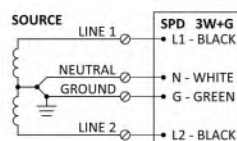
Figure 2 (PQM100 shown as example)

Switchboard/Panel Top Mount Kit PQSBM

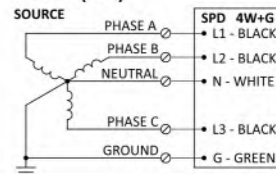


CONFIGURATIONS (Conceptual - refer to IOM for installation instructions)

SPLIT PHASE (SP)



WYE (3Y)



Document issued 2025-02-25